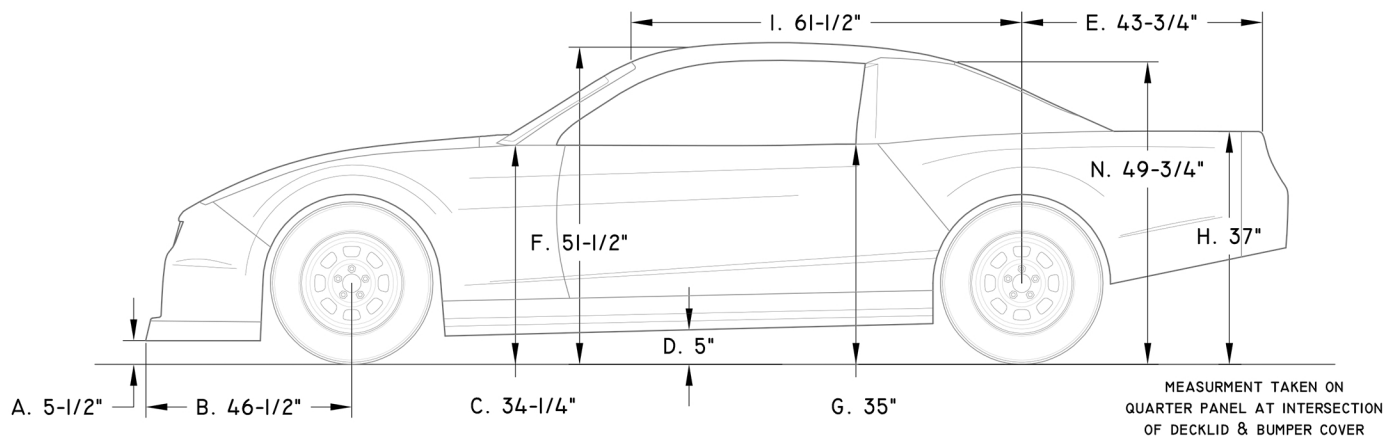
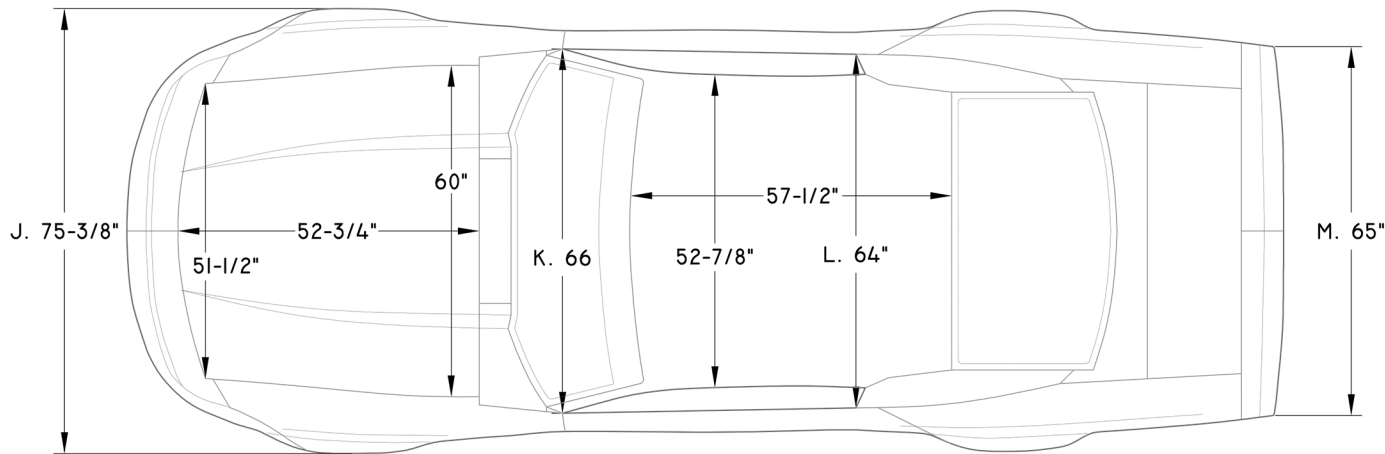


# Asphalt Street Stock / Sportsman Dimension Sheet (wheel base 105" - 112")



A.	NOSE HEIGHT (MIN): from ground to bottom of nose, without valance	5 1/2"
B.	FRONT OVERHANG (MAX): on centerline	46 1/2"
C.	FENDER HEIGHT: RIGHT at front of A-post from ground	34 1/4"
D.	SIDE PANEL CLEARANCE (MIN): from ground	5"
E.	REAR OVERHANG (MAX): from base of spoiler at centerline to axle center	43 3/4"
F.	ROOF HEIGHT (MAX): 10" back from windshield, on centerline	51 1/2"
G.	DOOR HEIGHT: RIGHT at rear	35"
H.	QUARTER PANEL HEIGHT: at bumper cover/decklid intersection	37"
I.	FRONT OF ROOF TO CENTER OF REAR AXLE:	61 1/2"
J.	BODY WIDTH: at wheel wells. REAR approx 74 3/4"	75 3/8"
K.	DOOR TO DOOR WIDTH: FRONT at "A" post and inside edges of the doors	66"
L.	DOOR TO DOOR WIDTH: REAR at "B" post and inside edges of the doors	64"
M.	Tail Width at rear bumper	65"
N.	ROOF HEIGHT top center of rear window to ground	49 3/4"